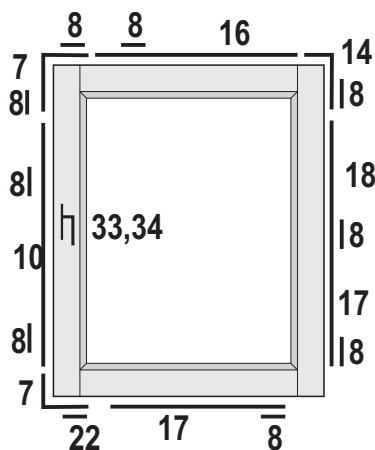


## Additional Security RC2 HW

### 1-casement window



### LEGEND

- 7 Security corner drive 2V
- 8 Security striker steel
- 9 Security corner drive 2-csm
- 10 Security espagnolette, lockable
- 14 Security corner drive IV
- 16 Security stay guide
- 17 Multipart security centre lock IV
- 18 Multipart security centre lock IV KB
- 22 DK Security striker
- 33 Drilling protection
- 34 Lockable handle

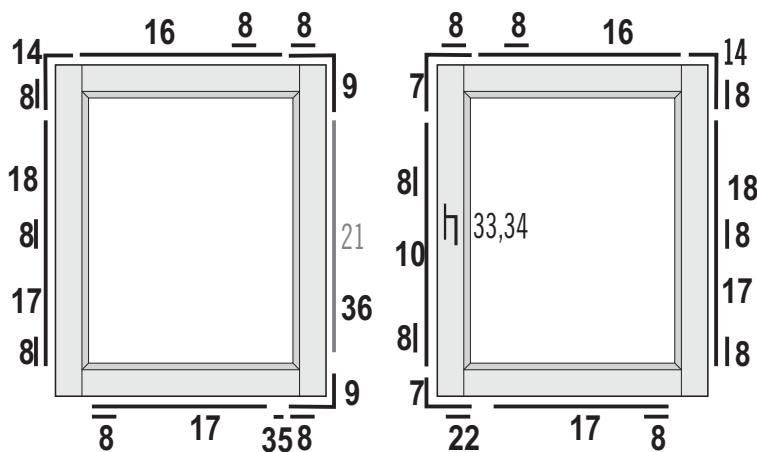
### LIMITATIONS

Balcony doors with threshold step

Tilt open

Legend  - not possible

### 2-casement window



### HIGH SECURITY AGAINST FORCED ENTRY EQUIPMENT

- Certificate of forced entry resistance by DIN V ENV 1627-1630.
- The equipment refers to construction, hardware, glass and installation process High security against forced entry equipment